

PLEASE CHECK WWW.MOLEX.COM FOR LATEST PART INFORMATION

Part Number: [0354179002](#)
Status: **Active**
Description: 1.27mm (.050") Tab Terminal, Brass, Wire Range 18-22 AWG (0.85-0.30mm²), Pre-Tin Plated, Smaller Conductor Crimp Area

Documents:

[Drawing \(PDF\)](#) [RoHS Certificate of Compliance \(PDF\)](#)
[Product Specification PS-35519-001 \(PDF\)](#)

General

Product Family	Crimp Terminals
Series	35417
Crimp Quality Equipment	Yes
Product Name	N/A

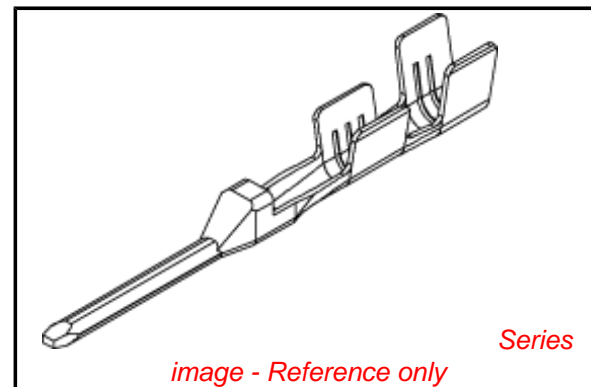
Physical

Gender	Male
Material - Metal	Brass
Material - Plating Mating	Tin
Material - Plating Termination	Tin
Packaging Type	Reel
Termination Interface: Style	Crimp or Compression
Wire Insulation Diameter	1.80-2.20mm (.071-.087")
Wire Size AWG	N/A
Wire Size mm ²	AVS 0.30 TO 0.85

Material Info

Reference - Drawing Numbers

Product Specification	PS-35519-001
Sales Drawing	SD-35417-9002



EU RoHS

**ELV and RoHS
Compliant**
**REACH SVHC
Contains SVHC: No**
**Halogen-Free
Status**

China RoHS



**Need more information on product
environmental compliance?**

Email productcompliance@molex.com
 For a multiple part number RoHS Certificate of Compliance, [click here](#)

Please visit the [Contact Us](#) section for any non-product compliance questions.

Search Parts in this Series

[35417Series](#)

Mates With

[50418](#)

Use With

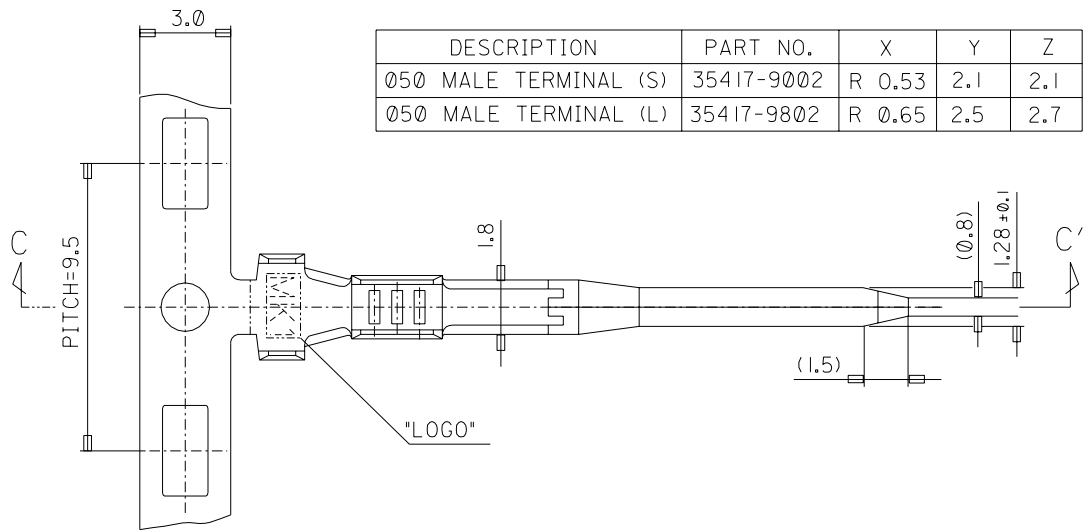
[35198](#)

DO NOT SCALE DRAWING
DIMENSION IN METRIC

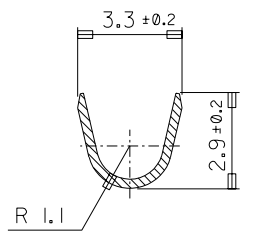
PROJECT NO.
KOR 96-038

SIMILAR ITEM

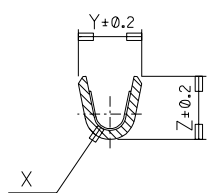
DWG. NO.
SD 35417-9002



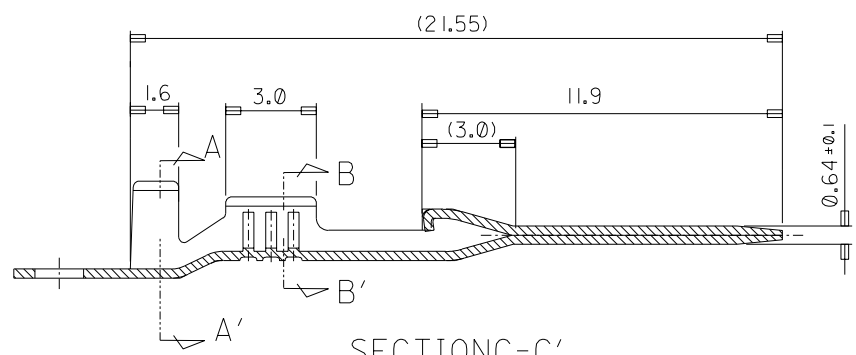
DESCRIPTION	PART NO.	X	Y	Z
Ø50 MALE TERMINAL (S)	35417-9002	R 0.53	2.1	2.1
Ø50 MALE TERMINAL (L)	35417-9802	R 0.65	2.5	2.7



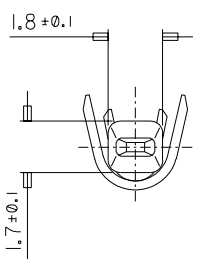
SECTION A-A'



SECTION B-B'



SECTION C-C'



- NOTE
1. MATERIAL : BRASS (C2600), THK.=0.30±0.02
 2. FINISH : PRE-TINNED 0.9 μm MIN.
 3. WIRE RANGE : AVSS OR AVS 0.3 -- 0.85 mm. ²
 4. PRODUCT SPECIFICATION : CS-35417-9002.

NEW RELEASED EC NO. KOR 99-0002 DRWN: C.Y.CHO '99.01.06 CHK: B.K.CHOI APPR: C.W.LEE	QUALITY SYMBOLS MAJOR CRITICAL	GENERAL TOLERANCES: (UNLESS SPECIFIED)		SCALE 4:1	DESIGN UNITS <input checked="" type="checkbox"/> mm <input type="checkbox"/> INCH	THIRD ANGLE PROJECTION	DIMENSIONS: <input type="checkbox"/> mm <input type="checkbox"/> INCH <input checked="" type="checkbox"/> mm ONLY	SHT	REV	
		4 PLACES	±0.	±.	DRAWN BY & DATE C.Y.CHO 1998/05/18	TITLE: Ø50 MALE TER'L				
		3 PLACES	±0.	±.	CHECKED BY & DATE B.K.CHOI 1998/05/18	MOLEX INCORPORATED KOREA				
		2 PLACES	±0.	±.	APPROVED BY & DATE C.W.LEE 1998/05/18					
1 PLACE	±0.30	±.	ANGULAR: ± 1°		CAD FILENAME SD35417.DGN	MATERIAL NO. SD 35417-9002	DRAWING NO. SD 35417-9002	SHEET NO. 1/1	SIZE B	
B	REV	DRAFT WHERE APPLICABLE MUST REMAIN WITHIN DIMENSIONS		THIS DRAWING CONTAINS INFORMATION THAT IS PROPRIETARY TO MOLEX INCORPORATED AND SHOULD NOT BE USED WITHOUT WRITTEN PERMISSION.						